



AGILE ROBOTS



Yu 5
Industrial
technical
data sheet



Specifications

Yu 5 Industrial

Max payload and workspace radius	5 kg payload: 1,000 mm 7 kg payload: 850 mm	
Protection rating (robot and controller)	IP54	
Degrees of freedom	6	
Repeatability	±0.05 mm	
Robot weight	31.5 kg	
Max linear speed (TCP)	2.0 m/s (with 5 kg payload)	
Operating temperature	5 to 40 °C	
Joints	Max Speed	Range
1	141 °/s	-220° to 220°
2	141 °/s	-310° to 130°
3	169 °/s	-160° to 160°
4	180 °/s	-310° to 130°
5	180 °/s	-220° to 220°
6	180 °/s	-220° to 220°
Vision	Integrated 2d camera with two high-power LEDs	
Sensitivity	Torque sensors in each axis	
Machine learning and AI	Integrated neural processing unit (NPU)	
Power supply	220 – 230 VAC, 50/60 Hz	
Average power consumption	250 W	
Full load current	6.3 A (at 230 VAC)	

User interface

Browser based programming interface, integrated Python API with graphical UI-builder, handguiding with 3 programmable buttons

Safety functions

According to
EN ISO 13849-1:2015,
EN ISO 10218-1:2011,
EN 61508-1:2010,
EN 61508-2:2010
EN 61508-3:2010

ES Emergency stop
ED Enabling device
OM Operating mode
SLDS Safely limited drive speed
SLDP Safely limited drive position
SLDT Safely limited drive torque
SLRP Safely limited robot power
SLCP Safely limited cartesian position
SLCO Safely limited cartesian orientation
SLCS Safely limited cartesian speed
SLCF Safely limited cartesian force
PS Protective stop / Configurable safe I/Os

Communication and protocols (robot control)

16 DI, 16 DO, 4 AI
4 safeDI, 4 safeDO
Ethernet, OPC UA based gateway (SPS, Cloud, etc.)

Communication and protocols (end effector interfaces)

2 A max power consumption (24V)

M8-interface (8 pin):

2 DI, 1 DO, 2 AI, 1 DI/O

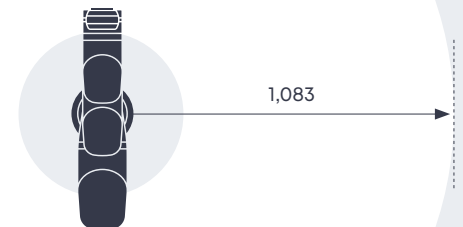
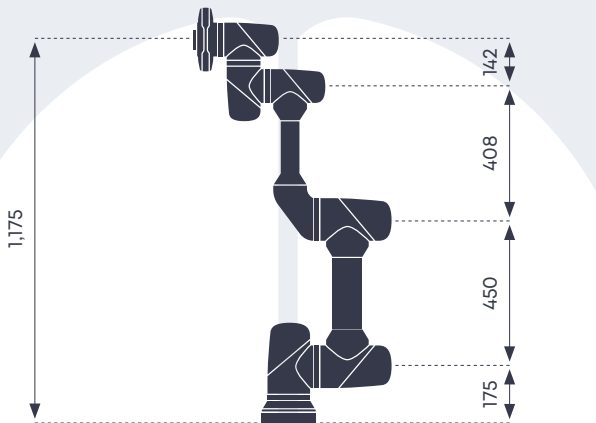
Springprobe interface

(wireless connection):

2 DI, 3 DO, 2 AI, 1 DI/O

Emergency stop, Enabling device, Operating mode switch, Power button

Hand controller



© Agile Robots SE
Staffelsestr. 8
81477 Munich

+49 89 277 814-101
welcome@agile-robots.com

Technical data may be subject to change without previous notice.

Please request detailed drawings here:
sales@agile-robots.com

www.agile-robots.com